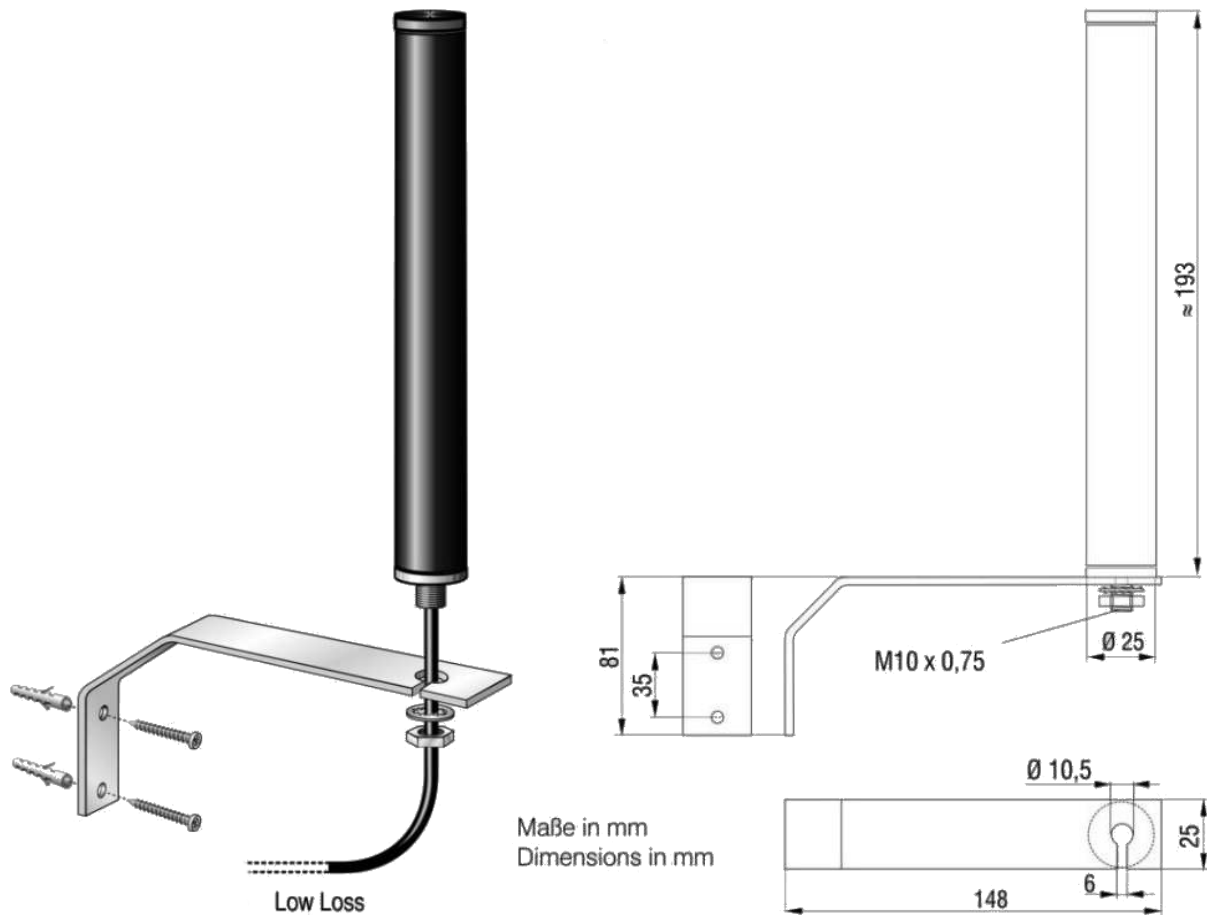


GS-ANT-18-200



Technical Data				
LTE 800	GSM 900	GSM 1800, UMTS	WiFi	LTE 2600
790-862 MHz	890-960 MHz	1710-2170 MHz	2400-2485 MHz	2500-2690 MHz
	VSWR		≤ 1,9 : 1	
	Gain		≈ 2 dBi	
	Impedance		50 Ω	
	Return loss		> 10 dB	
	Polarization		Linear, vertical	
	UV resistance		exists	

GS-ANT-18-200

Mechanical Data										
	Dimensions (ØxL)	ca. 25 mm x 193 mm								
	Connecting cable	LowLoss								
	Variants:	<table border="0"> <tr> <td>GS-ANT-18-200</td> <td>3 m SMA (m)</td> </tr> <tr> <td>GS-ANT-18-200-5M</td> <td>5 m SMA (m)</td> </tr> <tr> <td>GS-ANT-18-200-10M</td> <td>10 m SMA (m)</td> </tr> <tr> <td>GS-ANT-18-200-20M</td> <td>20 m SMA (m)</td> </tr> </table>	GS-ANT-18-200	3 m SMA (m)	GS-ANT-18-200-5M	5 m SMA (m)	GS-ANT-18-200-10M	10 m SMA (m)	GS-ANT-18-200-20M	20 m SMA (m)
GS-ANT-18-200	3 m SMA (m)									
GS-ANT-18-200-5M	5 m SMA (m)									
GS-ANT-18-200-10M	10 m SMA (m)									
GS-ANT-18-200-20M	20 m SMA (m)									



Return Loss:

