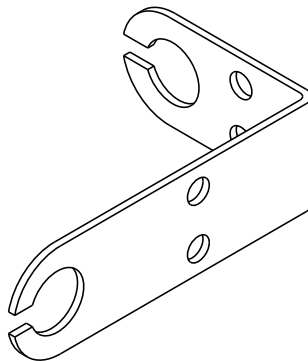


# GS-ANT-13-777



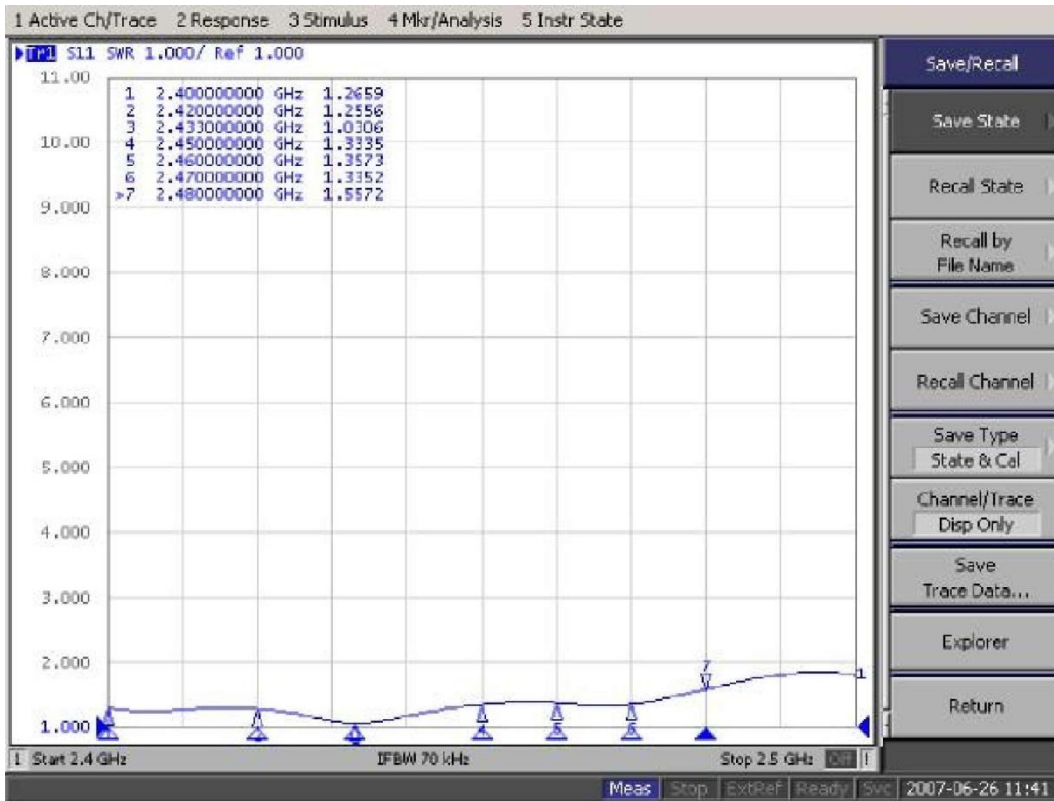
Technical Data			
wall mount 2.4 GHz / 5.8 GHz antenna			
	Frequency Range	2400 – 2500 MHz 5300 – 5800 MHz	
	Gain	2400 – 2500 MHz 5300 – 5800 MHz	4 dBi 6 dBi
	Power Max.	10 W	
	Impedance	50 Ω	
	Polarization	Vertical	
Mechanical Data			
	Dimensions (ØxL)	30 mm x 400 mm	
	Cable	No cable	
	Connector	N (f)	
	Temperature range	-40°C .. +85°C	
	Wall mount		
	RoHS compliant		



mounting plate

# GS-ANT-13-777

## SWR 2.4 GHz



## SWR 5.8 GHz

